

# STUDER

PROFESSIONAL AUDIO EQUIPMENT

## Service Information

Switching Code 1.080.811.00

Service Information SI 44/79 E

## SERVICE INFORMATION

44/79 E

SWITCHING CODE      1.080.811.00

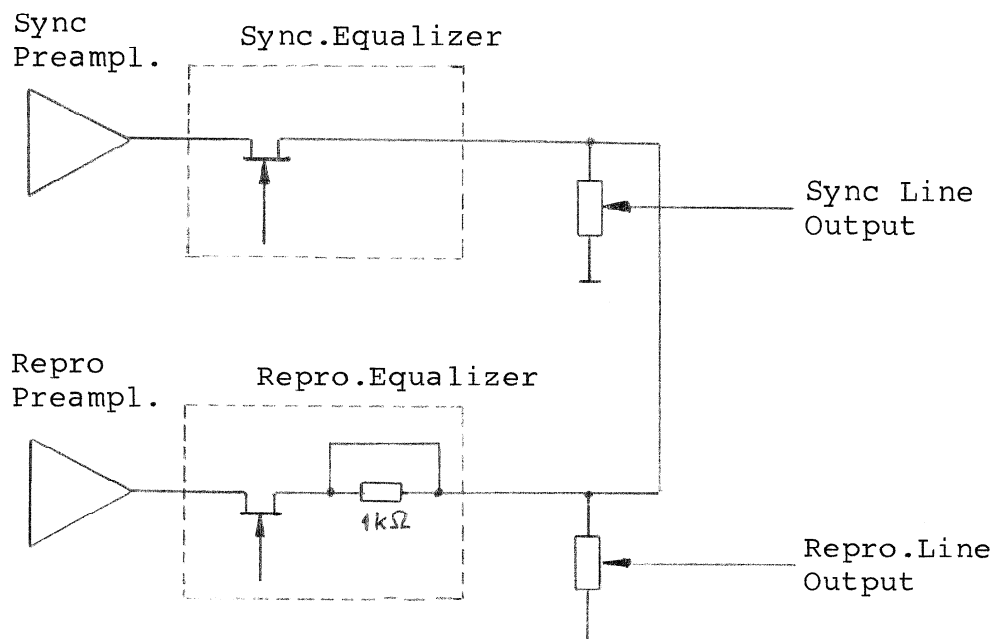
---

Using the switching code print No. 1.080.811 on the equalizer print 1.080.814/815/865/875 one resistor of 1 kOhm has to be shortened.

REASON: In SAFE Position - a level jump of 1 dB occurs between REPRO - OUTPUT and SYNC - OUTPUT (see truth table : SWITCH - POSITION : SAFE)

Resistor to be shortened:

1.080.814	:	R21	1 kOhm
1.080.815	:	R5	1 kOhm
1.080.865	:	R8	1 kOhm
1.080.875	:	R5	1 kOhm



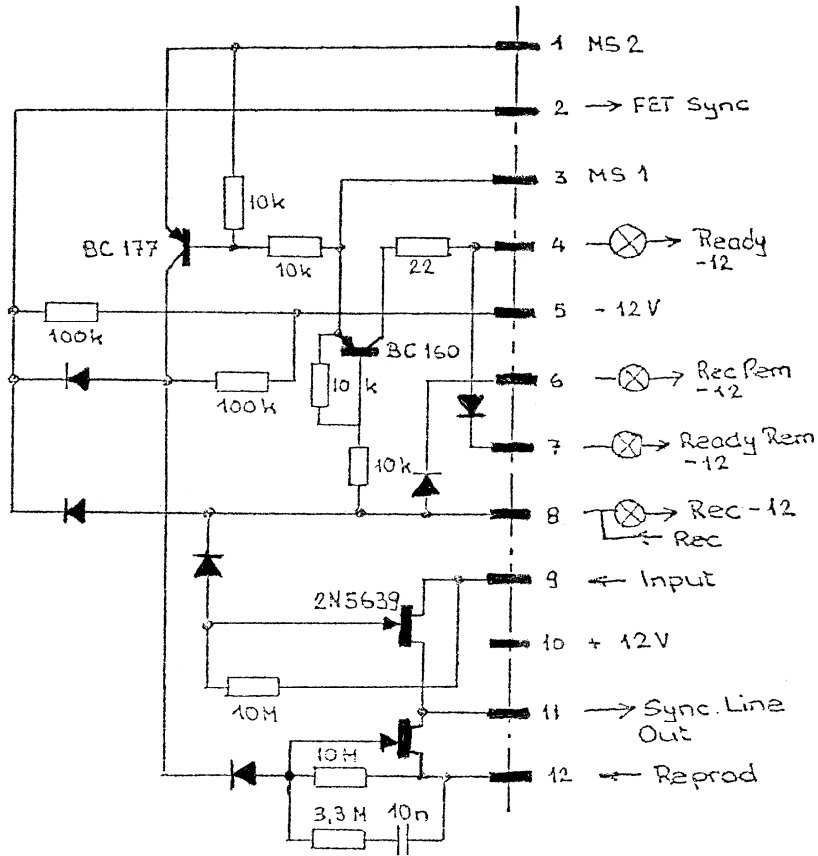


TABLE 6 SWITCHING CODE 1.080.811

SWITCH POSITION	REPROD. OUTPUT	SYNC OUTPUT	READY LIGHT	RECORD LIGHT
SYNC	SYNC	SYNC	- - -	- - -
SAFE	REPRO	REPRO	- - -	- - -
READY	REPRO	SYNC	X	- - -
READY/REC	REPRO	INPUT	- - -	X